

CLFP9

With a 9,000 lb. capacity and 10' 7/8" overall column height, Challenger's CLFP9 2-post lift is ideal for low ceiling applications. Standard 3-stage front and 3-stage rear arms offer maximum sweep, arm retraction and reach.

An open-top design allow the CLFP9 to accommodate any vehicle height, making it a great addition to the home enthusiast garage as well as professional vehicle service shops. Other features include double-telescoping screw footpads to accommodate a wide range of lift points, a powder coated finish for maximum durability, plated arm pins and a heavy-duty chain and hydraulic lifting system with cable synchronization.

STANDARD TRUE 3-STAGE FRONT AND REAR ARMS

Each of the three expansion phases is constructed of solid steel to ensure maximum rigidity, durability and technician security.



CLFP9
9,000 LB. CAPACITY

10' 0.875"
**IDEAL FOR
LOW-CEILING
APPLICATIONS**

CL Challenger Lifts

WWW.CHALLENGERLIFTS.COM

FEATURES & BENEFITS

- » 9,000 lb. lifting capacity
- » 10' 7/8" overall column height is ideal for servicing vehicles in a low ceiling height
- » Open top design accommodates any vehicle height
- » 3-stage front and 3-stage rear arms accommodate a wide range of common cars, trucks, vans as well as SUVs within the same service bay
- » Electric/hydraulic heavy-duty chain lifting operation with cable equalization to reduce ceiling height requirement
- » Dual-point mechanical pull-lock cable release system
- » Fully gusseted base plate design increases column rigidity
- » Premium double telescoping screw pads adjust to multiple heights minimizing the need for adapters
- » Powder coat finish provides long-lasting durability
- » Plated arm restraints and arm pins inhibit rust and provide long-lasting durability
- » Standard dual integrated rubber door guards help protect vehicle panels from inadvertent damage

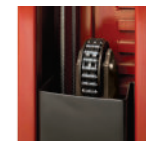
| MODEL NUMBER | CLFP9 |
|-----------------------|-------------------------------|
| Lifting Capacity* | 9,000 lb. (4082kg) |
| Lifting Configuration | Symmetric |
| Arms | 3-stage front/3-stage rear |
| A | Rise Height ¹ |
| B | Column Height |
| C | Overall Width |
| D | Drive-thru Clearance |
| E | Front Arm Reach |
| F | Rear Arm Reach |
| G | Screw Pad Height ² |
| H | Inside of Columns |
| | Ceiling Height Required |
| | Motor |
| | Voltage |
| | Speed of Rise |

*Lift capacity ratings are based on loads equally distributed on all four arms.

¹ Rise height measured with telescoping screw pad in highest position

² Specifications are listed without rubber pad, for measurements with rubber pad add 1/4" (6mm).

FEATURES



Heavy-duty chain lifting system with cable equalization

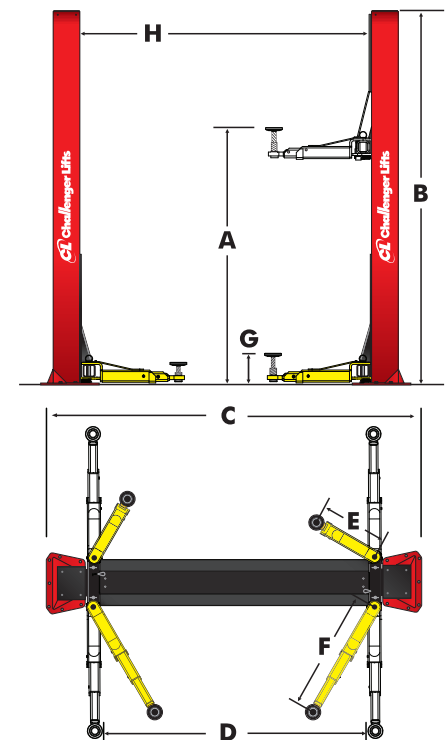


Double screw adjustable footpads

OPTIONAL ACCESSORIES



Optional 3" and 6" stack adapter, and organizer rack



For more information, contact your Authorized Challenger Lifts Distributor:

800-648-5438 | 502-625-0700 | www.challengerlifts.com | Fax: 502-625-0711 | Email: sales@challengerlifts.com
2311 South Park Road | Louisville, KY 40219

