

10K & 12K WIDE INGROUND EW1020 & EW1220



Engineered to be wider, taller, and more robust to tackle the heaviest vehicles in your fleet, up to 20,000 lbs. Equipped with 2-Stage arms, this lift also features **adjustable column extensions, adjustable width and the ability to add optional 2' column extensions** for taller vehicles.



MODEL # EW1020

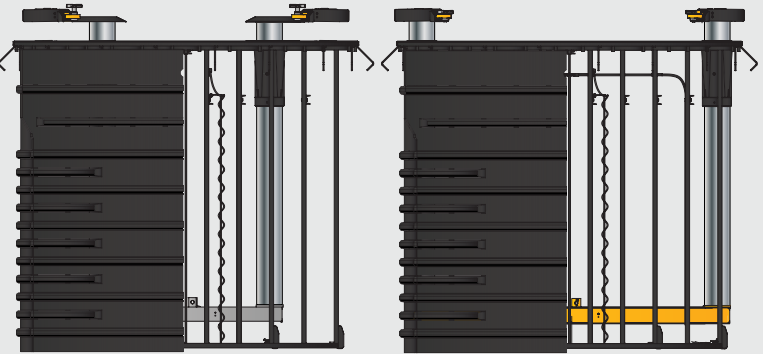


REQUIREMENTS

- 12' MINIMUM**
- 12' RECOMMENDED**
- 24' RECOMMENDED**
- 208-230V, 1PH, 30A**

WIDER. LATER.

We offer the option to install our standard 10K and 12K ingrounds in our NEW wide tub. This allows you to upgrade to the wide version, without the expenses of cutting concrete and doing a complete retrofit installation.



CONCRETE SPECS

4" thick, reinforced, free from cracks & seams, rated at 3500+ psi & cured minimum of 28 days

SPECIFICATIONS

MODEL NUMBER	EW1020 / EW1020-QC	EW1220 / EW1220-QC
Description	Standard / QuickCycle™	Standard / QuickCycle™
Lifting Capacity	10,000 lbs.	12,000 lbs.
Arm Configuration	3-Stage Front & Rear	
Stroke	72"	
Rise Height (A)	78"	
Overall Width (B)	117½"	121½"
Drive Thru Clearance (C)	88"	
Arm Reach (D)	Min. 20" Max. 42"	Min. 20½" Max. 48½"
Screw Pad Height	4" - 6½"	
Plunger Diameter	8½"	
Standard Motor/Voltage*	2HP, 208v-230v / 3HP, 208v-230v	
Rise Time	41s / 24s	63s / 38s
Max. Load per Arm	2,500 lbs.	3,000 lbs.
Required Ceiling Height	12'	
ALI® Certified	<input checked="" type="checkbox"/>	

