

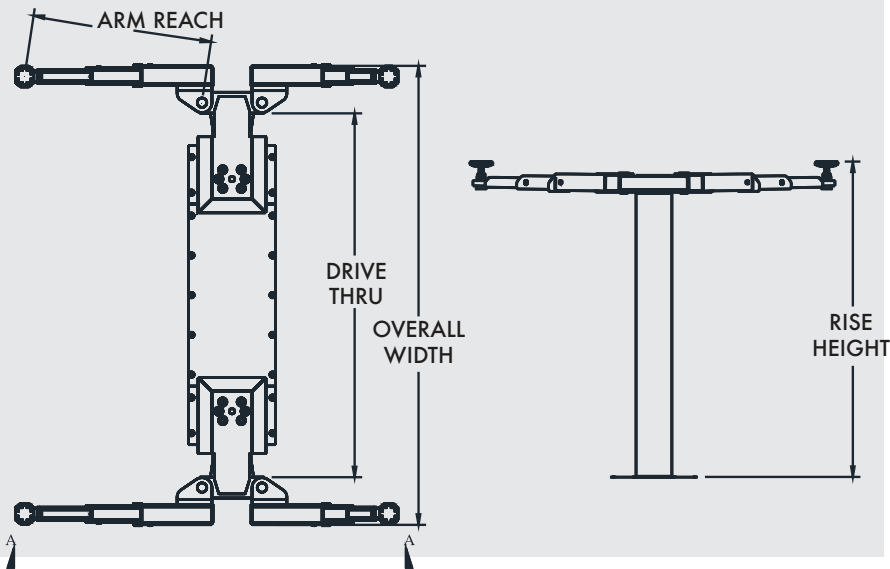


EV1020

SITE SPECIFICATIONS

- **BAY HEIGHT:** 12' minimum
- **BAY WIDTH:** 12' recommended
- **BAY DEPTH:** 24' recommended
- **POWER REQ.:** 208-230v Single Phase*, 30-amp breaker
- **AIR REQUIRED:** 90-120 psi

SERVICE BAY LAYOUT



Model Number	EV1020	EV1020-QC
Lifting Capacity	10,000 lbs.	10,000 lbs.
Arms	3-stage front/3-stage rear	
Stroke	68"	
Rise Height	74"	
Width Overall	110.25"	
Drive-Thru Clearance	87"	
Reach (Arm Minimum)	19.625"	
Reach (Arm Max.)	42.125"	
Screw Pad Height	3.875" - 6"	
Arm Capacity	2,500 lbs. per arm	
Guide Plunger Diam.	8.5"	
Motor / Voltage	2HP, 208v-230v, 60Hz, 1Ph	
Speed of Rise	38 s	27 s
Air Required	90 - 120 psi	
ALI/ETL Certified	√	√
Super Structure Colors		

*3-phase upgrade is available for purchase