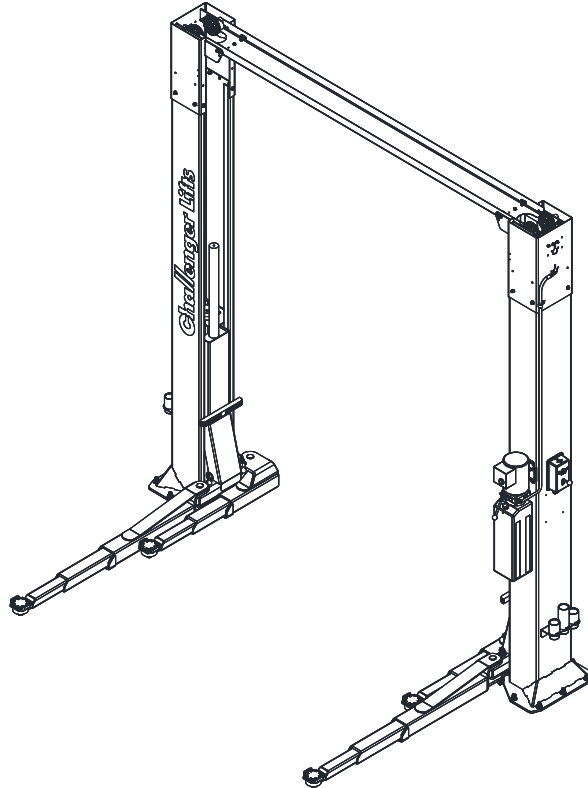


CL Challenger Lifts

Installation, Operation & Maintenance Manual ***Versymmetric*[®] Two Post** **Surface Mounted Lift**



MODELS: CL10AV3
CL10AV3-QC (QUICK CYCLE)

10,000 LBS. CAPACITY
2500 LBS. PER ARM

2311 South Park Rd Louisville, Kentucky 40219
Email: Challengerlifts@soe.freshdesk.com Phone: 800-648-5438

IMPORTANT: READ THIS MANUAL COMPLETELY BEFORE
INSTALLING OR OPERATING LIFT

GENERAL SPECIFICATIONS – STANDARD AND QUICK CYCLE (CL10A-HT AND CL10A-HT-QC)

See Figure 1	CL10A		CL10A-2		CL10A-3	
	(-6")	(MAX)	(-6")	(MAX)	(-6")	(MAX)
A Column Height	134" [11'-2"]	140" [11'- 8"]	158" [13'-2"]	164" [13'- 8"]	170" [14'-2"]	176" [14'- 8"]
* Ceiling Height Required	144"		159"	165"	171"	177"
B Cylinder Height (Full Stroke)	143" [11'- 11"]					
C Floor to Overhead Switch	128.5"	134.5"	152.5"	158.5"	164.5"	170.5"
D Rise Height (Screw Pads Highest Position)	74 1/8"					
E Screw Pad Height	3 7/8" to 6 1/8"					
F Adjustable Overall Width	(-12") 138.5"		(-6") 144.5"		(MAX) 150.5"	
G⁺ Inside of Columns	(-12") 110"		(-6") 116"		(MAX) 122"	
H To Nearest Obstruction	(-12") 6'-9"		(-6") 7'-0"		(MAX) 7'-3"	
Drive Thru Clearance	(-12") 100"		(-6") 106"		(MAX) 112"	
Arm Reach Front/Rear (Min.-Max.)	Front (20" - 42") / Rear (37-5/8" - 60")					
** Lifting Capacity (Hydraulic Pressure at Cap.)	10,000 lbs. (2500 lbs. Per Arm) (2750 psi)					
*** Rise Time	Standard: 38 Sec. (approximate)					
	Quick Cycle: 24 Sec. (approximate)					
Motor	2Hp, 1Ph, 60Hz, 208/230V Optional – 2Hp, 3Ph, 50/60Hz, 208/230/460V QC -- 3Hp, 1Ph, 60Hz, 208/230V					
Lift Approximate Weight	1835-2025 lbs.					

* Cylinder height "B" will extend past column height "A" on standard CL10A only.

** Lift capacity ratings are based on loads equally distributed on all four arms.

*** Lifting and lowering speeds may vary depending on the weight of the vehicle.

* This model CL10A can be installed at 114-1/2" inside of columns using existing anchors to match a prior model CL10. See *Width Configuration 114-1/2" Supplement* found in *114-1/2" Width Option Kit* from the Hardware Box.

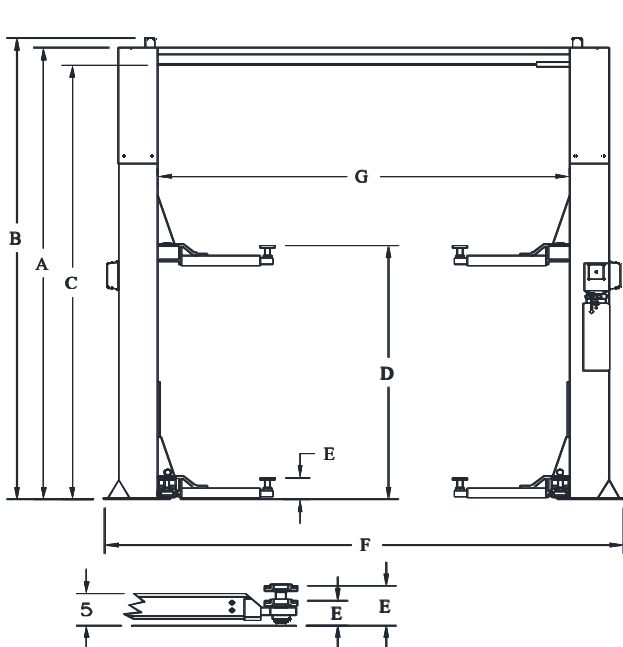


Fig. 1a - General Specifications

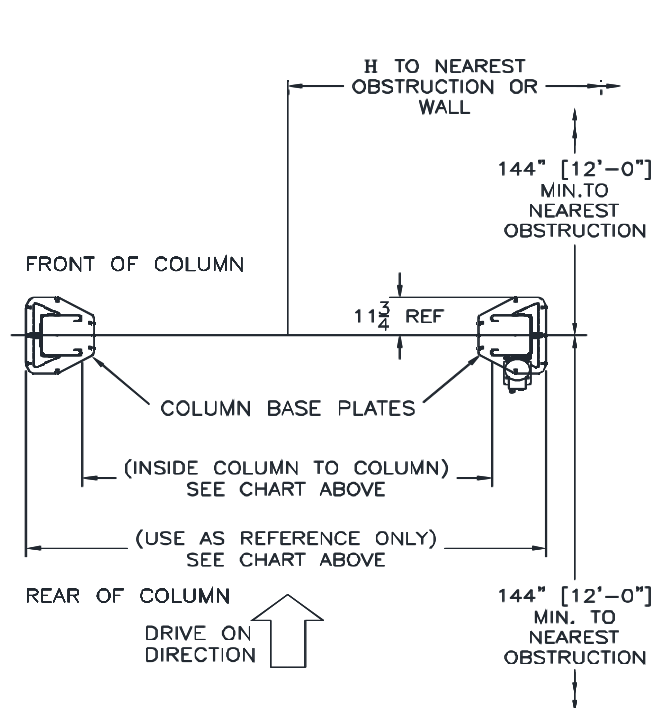


Fig. 1b - Service Bay Layout

VERTICAL CLEARANCE

Check the height of the area where the lift is to be installed. Clearance should be calculated based on the full raised height of the lift.



WARNING Failure by purchaser to provide adequate clearance could result in unsatisfactory lift performance, property damage, or personal injury.

FLOORING

Be certain you have the proper concrete floor to properly handle the loaded lift. Floor should be in generally good condition with no large cracks, spalling or deterioration.

Minimum requirements for concrete are 4 inches minimum depth, with steel reinforcement, 3500 psi, cured for 28 days per local commercial practice. Floor should be level within 3/8 inch over the installation area. No anchors should be installed within 8 inches of any crack, edge, or expansion joint. If these conditions cannot be met, a pad may be poured to accommodate the lift.

Check with local building inspectors and/or permits office for any special instructions or approvals required for your installation.

A qualified person should be consulted to address seismic loads and other local or state requirements.



WARNING Failure by purchaser to provide the recommended mounting surface could result in unsatisfactory lift performance, property damage, or personal injury.

LOCATION

This lift has been evaluated for indoor use only with an operating ambient temp. range of 5 – 40°C (41–104°F). Outdoor Installation is Prohibited.

ELECTRICAL REQUIREMENTS

For lift installation and operation, it is necessary to have a dedicated circuit with circuit breaker or time delay fuse. Refer to wiring diagram for circuit sizing.

SAFETY NOTICES AND DECALS

For your safety, and the safety of others, read and understand all of the safety notices and decals included here.

READ ENTIRE MANUAL BEFORE ASSEMBLING, INSTALLING, OPERATING, OR SERVICING THIS EQUIPMENT.

PROPER MAINTENANCE AND INSPECTION IS NECESSARY FOR SAFE OPERATION.

DO NOT OPERATE A DAMAGED LIFT.

Safety decals similar to those shown here are found on a properly installed lift. Be sure that all safety decals have been correctly installed on the columns as described in this installation manual. Verify that all authorized operators know the location of these decals and fully understand their meaning. Replace worn, faded, or damaged decals promptly.



WARNING Do not attempt to raise a vehicle on the lift until the lift has been correctly installed and adjusted as described in this manual.

<p>NOTICE</p> <p>Read operating and safety manuals before using lift.</p>	<p>NOTICE</p> <p>Proper maintenance and inspection is necessary for safe operation.</p>	<p>If attachments, accessories, or configuration modifying components used on this lift are located in the load path and affect operation of the lift, affect the lift electrical listing, or affect intended vehicle accommodation; and if they are not certified for use on this lift, then the certification of this lift shall become null and void. Contact the participant for information pertaining to certified attachments, accessories, or configuration modifying components.</p> <p>NOTICE</p> <p>www.autolift.org ©2011-2018 by ALL, Inc. ALI/WLSIA01</p>
<p>NOTICE</p> <p>Do not operate a damaged lift.</p>	<p>The messages and pictographs shown are generic in nature and are meant to generally represent hazards common to all automotive lifts regardless of specific style.</p> <p>Replacement label sets may be obtained from the original lift manufacturer and ALL's member companies.</p> <p>Funding for the development and validation of these labels was provided by the Automotive Lift Institute, PO Box 85, Cortland, NY 13245. These labels are protected by copyright.</p> <p>www.autolift.org © 2006-2017 ALI/WLS1</p>	

<p>CAUTION</p> <p>Lift to be used by trained operator only.</p>	<p>CAUTION</p> <p>Authorized personnel only in lift area.</p>	<p>WARNING</p> <p>Clear area if vehicle is in danger of falling.</p>	<p>WARNING</p> <p>Position vehicle with center of gravity midway between adapters.</p>
<p>CAUTION</p> <p>Use vehicle manufacturer's lift points.</p>	<p>CAUTION</p> <p>Always use safety stands when removing or installing heavy components.</p>	<p>WARNING</p> <p>Remain clear of lift when raising or lowering vehicle.</p>	<p>WARNING</p> <p>Avoid excessive rocking of vehicle while on lift.</p>
<p>CAUTION</p> <p>Use height extenders when necessary to ensure good contact.</p>	<p>CAUTION</p> <p>Auxiliary adapters may reduce load capacity.</p>	<p>WARNING</p> <p>Do not override self-closing lift controls.</p>	<p>WARNING</p> <p>Keep feet clear of lift while lowering.</p>
<p>The messages and pictographs shown are generic in nature and are meant to generally represent hazards common to all automotive lifts regardless of specific style.</p> <p>Funding for the development and validation of these labels was provided by the Automotive Lift Institute, PO Box 33116 Indianapolis, IN, 46233.</p> <p>They are protected by copyright. Set of labels may be obtained from ALL or its member companies.</p> <p>© 1992 by ALL, Inc. ALI/WLS1</p>		<p>The messages and pictographs shown are generic in nature and are meant to generally represent hazards common to all automotive lifts regardless of specific style.</p> <p>Funding for the development and validation of these labels was provided by the Automotive Lift Institute, PO Box 33116 Indianapolis, IN, 46233.</p> <p>They are protected by copyright. Set of labels may be obtained from ALL or its member companies.</p> <p>© 1992 by ALL, Inc. ALI/WLS1</p>	

RECEIVING

The shipment should be thoroughly inspected as soon as it is received. The signed bill of lading is acknowledgement by the carrier of receipt in good condition of shipment covered by our invoice.

If any of the goods called for on this bill of lading are shorted or damaged, do not accept them until the carrier makes a notation on the freight bill of the shorted or damaged goods. Do this for your own protection.

NOTIFY **Challenger Lifts** AT ONCE if any hidden loss or damage is discovered after receipt.

IT IS DIFFICULT TO COLLECT FOR LOSS OR DAMAGE AFTER YOU HAVE GIVEN THE CARRIER A CLEAR RECEIPT.

File your claim with **Challenger Lifts** promptly. Support your claim with copies of the bill of lading, freight bill, and photographs, if available.

Component Packing List

PART #	QTY/ LIFT	DESCRIPTION
A2405-P	1	Power Column Ass'y
A2405-I	1	Idler Column Ass'y
A2060	1	Overhead Beam
CL10A-HW-A	1	Hardware Box
B2202SD	1	3-Stage Arm Pack
B2302SD	1	2/3-Stage Arm Pack
A2417-*	2	Column Extensions CL10A-*
A2421- *	1	Sync Cable Pack CL10A-*
A2066	1	Overhead Shut-Off Bar Ass'y
A1208	1	Overhead Limit Switch
AB-9367 AD-9367	1	Power Unit – 1 Phase Power Unit – 3 Phase
CL10A-LP-A	1	Literature Pack

ACCEPTED OILS – Do not use oils with detergents
hydraulic fluid is not provided with the lift shipment
-10 wt. anti-foam, anti-rust hydraulic / biodegradable oil
-Dexron III ATF

Edition of Standards Referenced

Where any ANSI standard or ALI materials are referenced within this manual, the most recent edition shall apply.

INSTALLATION

SAFETY REQUIREMENTS FOR INSTALLATION AND SERVICE

Refer to ANSI/ALI ALIS (current edition)

IMPORTANT: Always wear safety glasses while installing lift.

TOOLS (MINIMUM REQUIRED)

- Tape measure, 16ft
- Chalk line
- 4ft level
- 10" adjustable wrench
- Standard open-end wrenches 7/16", 1/2", (2) 9/16", (2) 11/16", 3/4"
- 5/16" allen wrench
- Needle nose pliers
- Hammer drill with 3/4" dia. carbide tipped bits
- 2 lb hammer
- Torque wrench:150 ft.-lbs.min. w/ 1-1/8" socket
- 12 ft. step ladder
- Anti-seize lubricant (for arm pins and foot pad screw threads and stop rings)

LIFT PREPARATION

- With column assemblies lying flat, remove cable and hose rolls from inside the columns and manually push carriages up to gain access to sheave at base of column.
- Remove hex bolt and sheave pin from sheave bracket, **Fig. 2**.

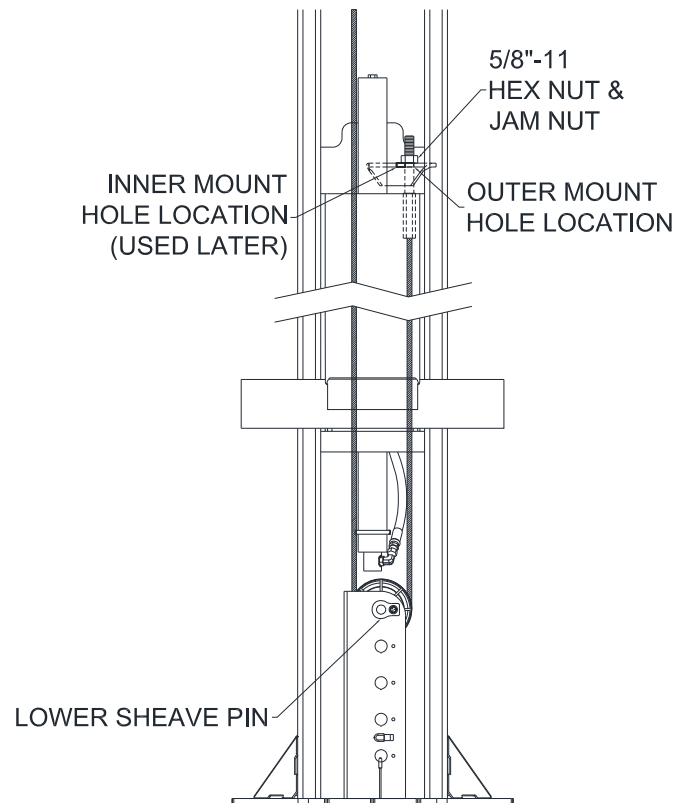


Fig. 2 – Cable Routing LAYOUT

- Determine the sheave location on the lower bracket based on the overall height and width of the lift at its chosen configuration. Use the General Specifications table from **page 2** and **Fig. 3** below.

If installing at 114-1/2" inside of columns refer to **Fig. A** of the *Width Configuration 114-1/2" Supplement*. (For using existing anchors to match a prior model CL10)

Note: The column has been assembled with the sheave in the highest position on the bracket for the lift installed at max height and max width.

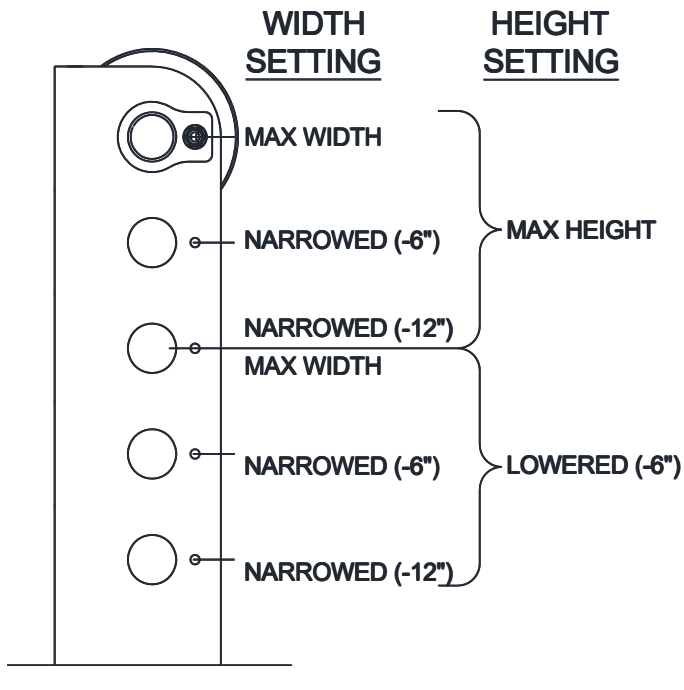


Fig. 3 – Sheave Position in Lower Bracket

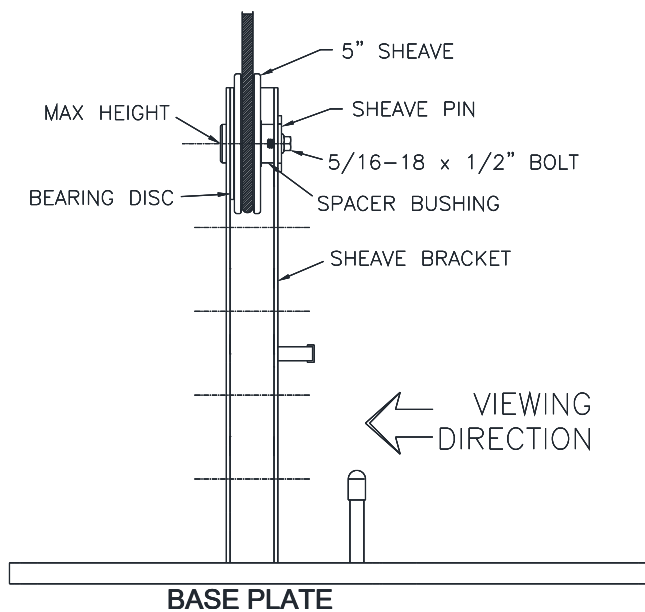


Fig. 4 – Sheave Assembly and Cable Routing

- Route cables as shown in **Fig. 2** and **Fig. 4**. Ensure cables do not wrap around hoses during routing.

Ensure top of the hydraulic cylinder remains retained in the opening of the carriage top plate.



Failure to follow previous step could result in personal injury.

LAYOUT

- Layout the service bay according to the architect's plans or owner's instructions (**see Fig. 1b**). **Failure to install in this orientation can result in personal and property damage.** Be certain that the proper conditions exist, see page 3.
- Assemble column extension to column by lining up the correct set of holes and using the 3/8"-16 x 3/4" lg. hex flange head bolts, **Fig. 5**. Repeat for opposite column and extension.
- Erect and align both column assemblies.

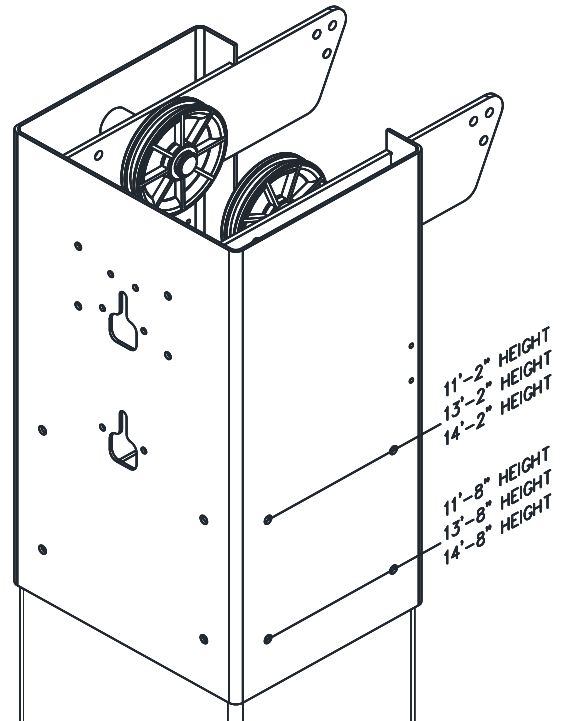


Fig. 5 – Column Extension Assembly

LOCKING PAWL

FOR LIFTS WITH OPTIONAL DUAL PENDANT CONTROL, REFER INSTALLATION OF THE LOCKING PAWL AND LOCK RELEASE CABLE TO THE “DUAL PENDANT CONTROL INSTALLATION & OPERATION MANUAL SUPPLEMENT”.

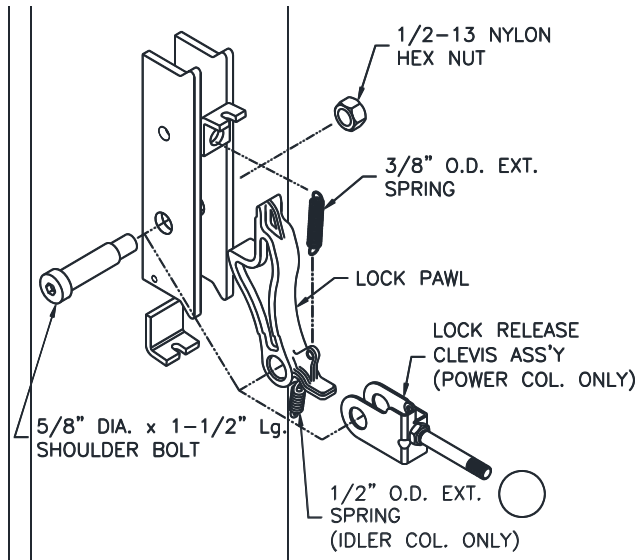


Fig. 6 – Locking Pawl Assembly

- 8) Install power column locking pawl and lock release clevis with 5/8" diameter x 1 1/2" lg shoulder bolt and 1/2"-13 nylon lock nut, **Fig. 6**. Attach 3/8" O.D. extension spring to upper hole in locking pawl and other end to hole in bracket welded to column.
- 9) Attach 1/2" O.D. extension spring to hole located on bottom side of idler column lock pawl and install using 5/8" shoulder bolt and lock nut, **Fig. 5**. Attach 3/8" O.D. spring the same as power side.

ANCHORING

Note:

- The anchor bolts must be installed at least 8" from any crack, edge, or expansion joint. Recheck the area around both base plates.
 - Use a concrete hammer drill with a 3/4-inch carbide bit. Tip diameter should conform to ANSI Standard B212.15 (.775 to .787). Do not use excessively worn bits or bits which have been incorrectly sharpened. A core bit may be necessary if an obstruction is encountered. **Never substitute with shorter anchors.**
- 10) Recheck “Inside of Columns” dimension (**Fig. 1**).
 - 11) Using the base plate as a template, drill one anchor hole. Drill through the floor if possible or to a depth of 5 inches minimum.
 - 12) Clean the hole inside and out.
 - 13) Assemble a washer and nut to the anchor with nut just below impact section of bolt. Drive the

anchor into the hole until the nut is 3/4" above the baseplate (leaving room for shims).

Complete steps 11 thru 13 for the five (5) exposed anchors (one at a time) around each column.

- 14) Raise both carriages high enough to drill the two inner anchor holes on each column. Measure both carriage heights to ensure they are in the same lock position.
- 15) **IMPORTANT:** Ensure that the lock pawl is engaged by attempting to manually disengage it. When properly engaged, the weight of the carriage will prevent it from moving.
- 16) Repeat steps 11 thru 13 for the two (2) anchors under each carriage.
- 17) Shim both columns to plumb using the shims provided as shown in **Fig. 7**. DO NOT shim more than 1/2" at any given point. Use a level no less than 24" in length to plumb columns.

Drive all the anchors until nut and washer contact baseplate.

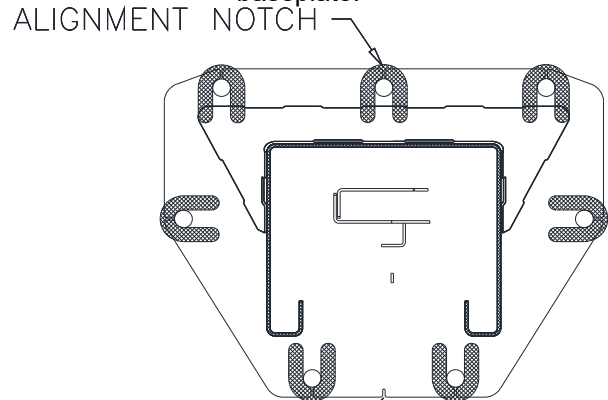


Fig. 7 – Column Shimming

- 18) Tighten power column anchors and recheck column for plumb. Re-shim if necessary. Torque to 150-foot pounds to set anchors.

OVERHEAD

- 19) Before raising overhead into position install 4 (2 per column) hex flange bolts and nuts in middle hole of column extension (*see Fig. 8 Installation Aid*) for temporary support of overhead. Lift overhead assembly up into position and install with 8 (4 per column) 3/8-16 x 3/4" lg hex flange bolts and hex flange nuts per side as shown in **Fig. 8**. For the max width position, the outer overhead holes will be used. For the (-6") width, one set of outer overhead holes and one set of inner overhead holes will be used. For the (-12") width, the inner set of overhead holes will be used.

If installing at 114-1/2" inside of columns refer to **Fig. B** of the *Width Configuration 114-1/2" Supplement*. (For using existing anchors to match a prior model CL10)

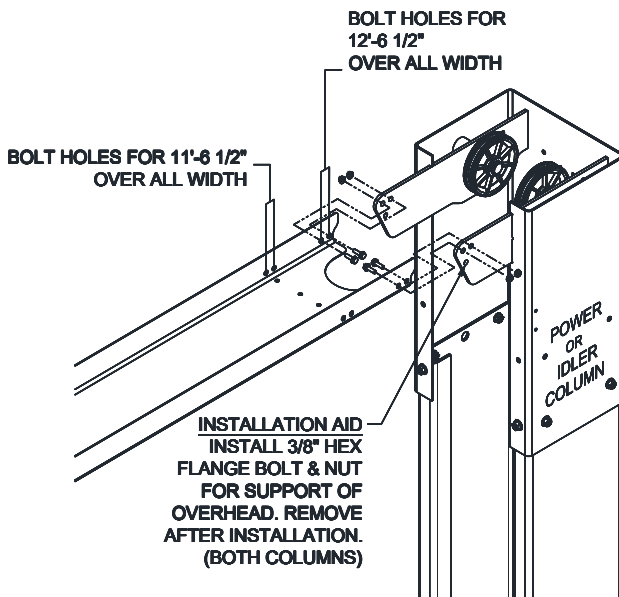


Fig. 8 – Overhead Assemble

- 20) Check idler column shimming. Use additional shims (see Fig. 7) to remove any gaps that may have been created while installing overhead beam. Tighten anchor bolts and re-check column for plumb. Torque to 150-foot pounds.
- 21) Install overhead limit switch to the overhead beam using the rear set of holes on the power side of the lift. Fig. 9a.

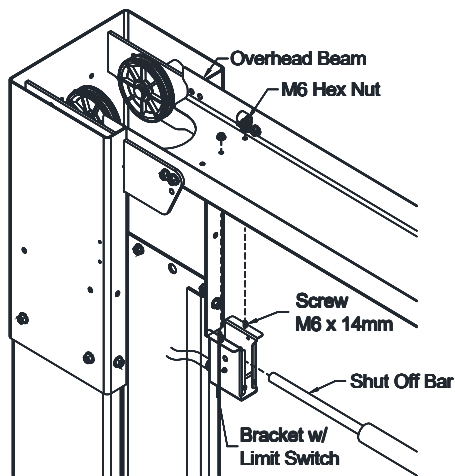


Fig. 9a – Overhead Limit Switch Power Side

- 22) Install the idler bracket to the overhead beam using the rear set of holes on the idler side of the lift. Fig. 9b. Note the orientation of the idler bracket. The narrow slot needs to be facing towards the power column. Slide the shutoff bar over the limit switch on the power side. Pin the shutoff bar to the idler side bracket with the 10mm dia. x 55mm lg. clevis pin & hairpin cotter.

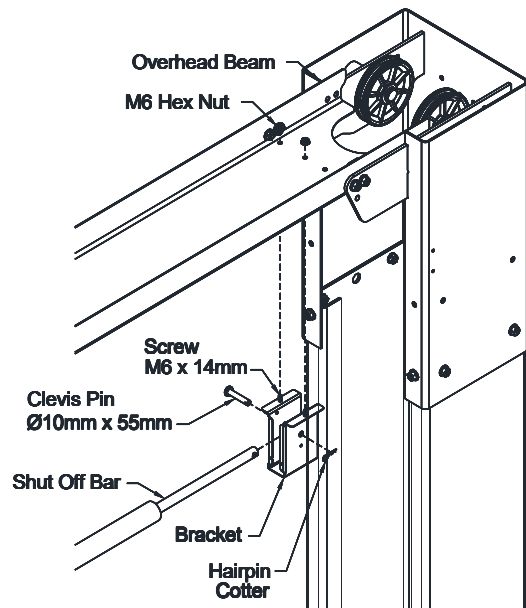


Fig. 9b – Overhead Bracket Idler Side

SYNCHRONIZER CABLE

- 23) Route free end of cables up and over the upper sheaves and back down the opposite side.
- 24) At the top of each column extension assemble a 3/8-16 x 3" lg bolt with (2) 3/8-16 flange nut at each sheave location, Fig. 10.
- 25) Repeat for opposite side.

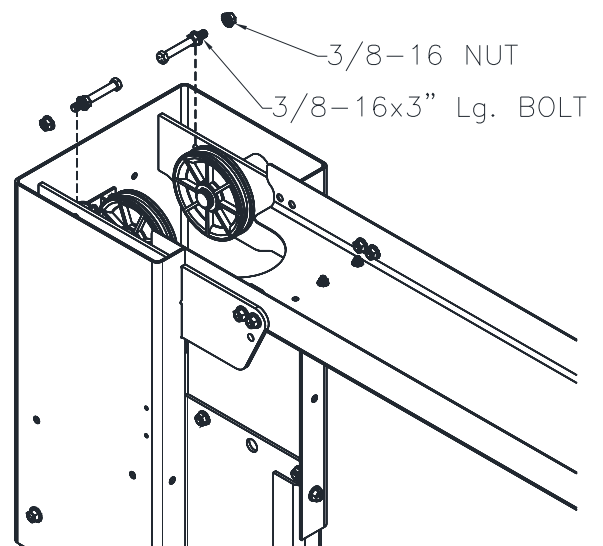


Fig. 10 – Column Ext. Cable Trapping

- 26) Mount synchronizer cables to carriages as shown in Fig. 11a & 11b. If installing at 114-1/2" inside of columns refer to Fig. C of the Width Configuration 114-1/2" Supplement. (For using existing anchors to match the prior model CL10).

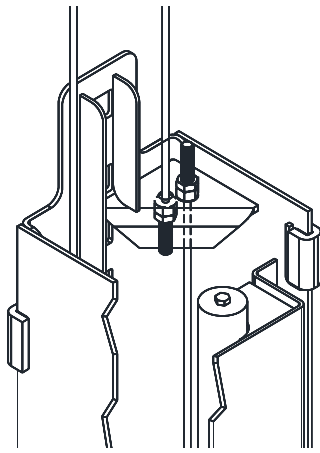


Fig. 11a – Cable Assembly

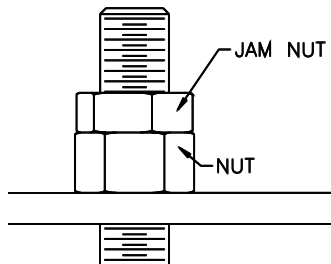


Fig. 11b – Jam Nut

POWER UNIT & HYDRAULIC HOSES

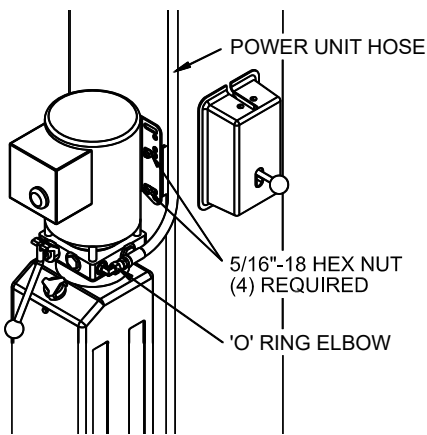


Fig. 12 – Power Unit Mounting

IMPORTANT – To ensure proper hose fitting seal without damage to the fitting follow this procedure for each hose connection: Screw flared fitting on finger tight. Rotate flared fitting 1-1/2 hex flats (90 deg.). Back the flared fitting off one full turn. Again, tighten flared fitting finger tight, then rotate flared fitting 1-1/2 hex flats (90 deg.).

27) Mount power unit to power column as shown in **Fig. 12**. The mounting hardware, (4) 5/16" -18 hex nuts, are pre-installed on power unit mounting bracket.

28) Install the hose support tabs to both idler and power columns using 1/4"-20NC x 3/4" lg. hex flange bolt and nut, see **Fig. 13a** and **Fig. 13b**.

29) Route the idler side hose through the idler side column as shown in **Fig. 13a**, taking care to avoid the synchronizing cables and hydraulic cylinder path. Uncoil the overhead hose and attach it to the idler side hose. Remove slack and tighten all 3 clamps. Route hose across overhead avoiding the synchronizing cables and down through the power side column extension as seen in **Fig. 13b**. Do Not Tighten clamps at this time.

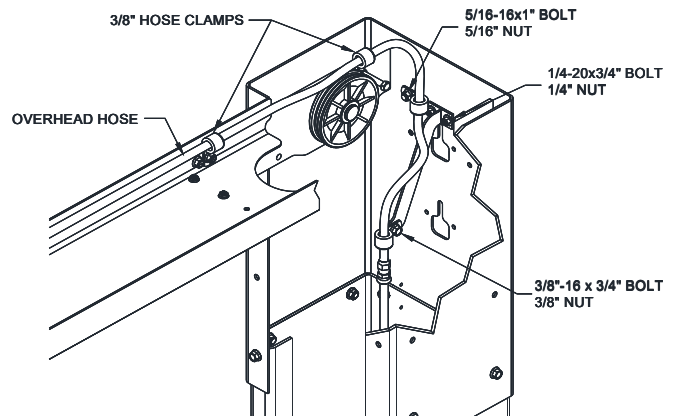


Fig. 13a – Hose Routing,
Idler Side Column Ext.

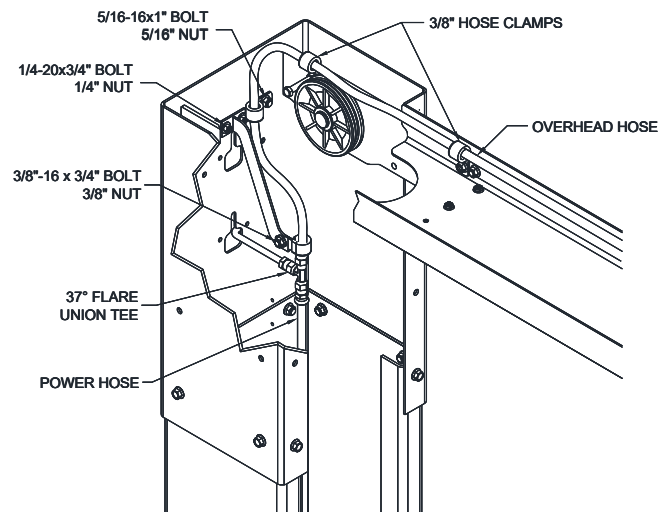
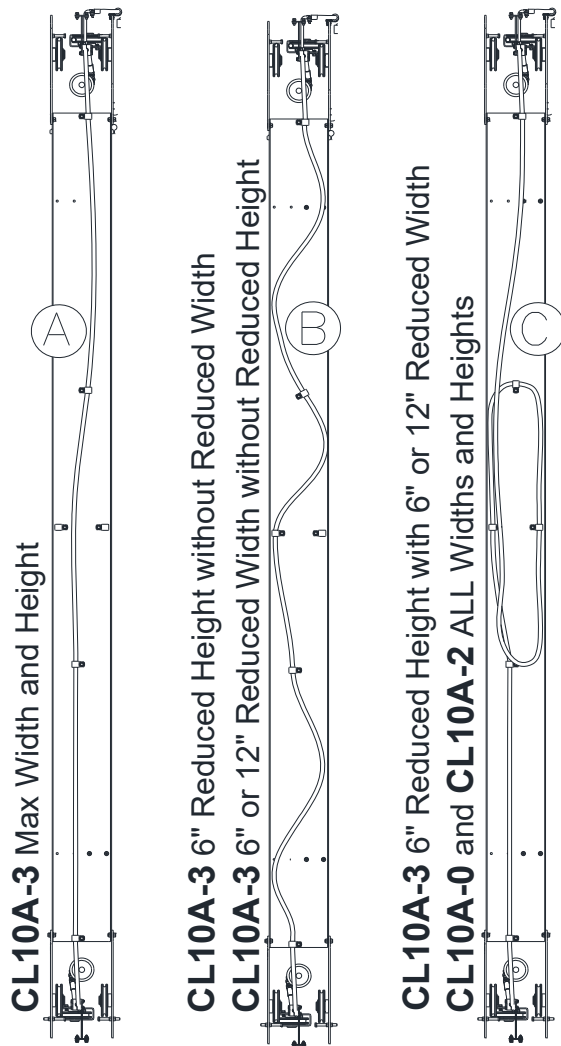


Fig. 13b – Hose Routing,
Power Side Column Ext.

HOSE ROUTING DIAGRAMS



HOSE ROUTING TABLE

		CL10A-3 WIDTH		
		STD	-6"	-12"
CL10A-3 HEIGHT	MAX	A	B	B
	-6"	B	C	C

Fig. 13c – Hose Routing, Overhead

- 30) Loosely attach power column hose and overhead hose using the tee fitting (*in hardware box*). Attach power unit hose to power side column extension as seen in **Fig. 14**. Connect power unit hose to tee, **Fig. 13b**, and remove slack from power column hose. Tighten loose fittings and clamps from previous step. Route overhead hose according to **Fig. 13c**.

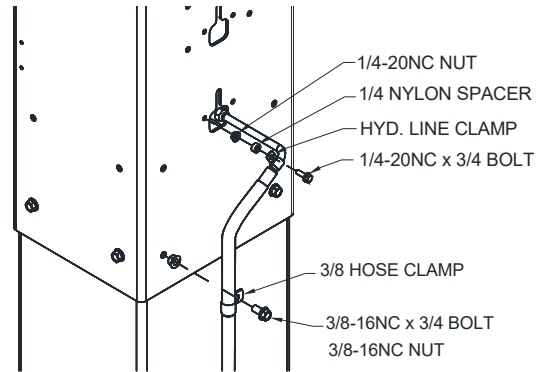


Fig. 14 – Power Unit Hose

- 31) Thread 9/16-18 O-ring elbow (*in hardware box*) into power unit. Attach free end of power unit hose to elbow. See **Fig. 12**. CAUTION do not damage rubber O-ring.
- 32) **BE CERTAIN ALL FITTINGS AND CONNECTIONS ARE TIGHT. IT IS THE INSTALLERS RESPONSIBILITY TO ENSURE SYSTEM IS LEAK-FREE.** Fill the power unit with three gallons of clean 10wt anti-foam anti-rust hydraulic / biodegradable oil or Dexron III ATF. **Do NOT USE OILS WITH DETERGENTS.**

LOCK RELEASE

- 33) Attach mechanical lock release cable assembly to power column lock release clevis using the 3/16" diameter x 1/2" long pin and (2) "C" clip retainers, **Fig. 15**.
- 34) Insert threaded sleeve portion of cable assembly in slot located on tab above locking pawl, **Fig. 15**. One jam nut should be located on each side of tab. Position threaded sleeve with 1/2" of thread below tab as indicated in **Fig. 15** and tighten jam nuts.

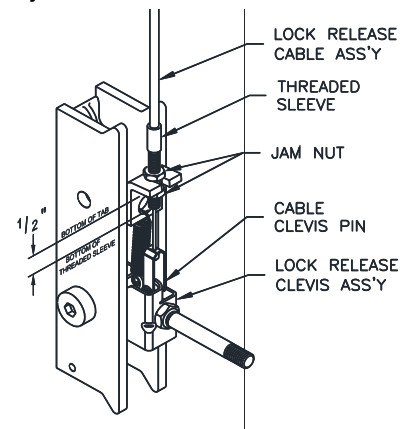


Fig. 15 – Power Column Lock Assembly

- 35) Route opposite end of cable assembly up power column and into column through access slot in bottom of column extension. Following the path of the hydraulic line, route cable assembly across overhead clear of moving parts and back out through access slot in bottom of idler side column extension. Attach cable assembly to the hydraulic hose with loosely fit wire ties.

NOTE: DO NOT kink cable assembly when routing. Tighten and trim wire ties after final cable adjustments have been made.

- 36) Attach adhesive-backed tab to idler column left of the lock assembly (**Fig. 16**). Route lock release cable down left side of idler column and secure with loosely fit wire tie to adhesive-backed tab. Attach cable clevis to 1/2" O.D. extension spring.

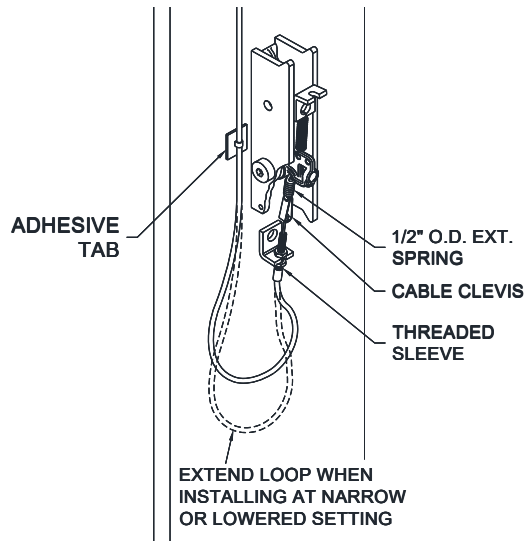


Fig. 16 – Idler Column Lock Assembly

- 37) Insert threaded sleeve portion of cable assembly in slot located on tab below lock pawl, **Fig. 15**. With one jam nut located on each side of tab, adjust the threaded sleeve to begin to pull tension on the 1/2" O.D. spring. Snug jam nuts by hand.

THE LOCK RELEASE CABLE ADJUSTMENT IS NOT COMPLETE UNTIL THE LIFT HAS BEEN LOWERED AND “FINAL ADJUSTMENTS” HAVE BEEN MADE.

ARM INSTALLATION

- 38) Grease the arm pin or carriage arm pin hole with heavy viscous grease and install the arms. Use the grease fittings during regular monthly maintenance.
- 39) Slide the provided washer onto pin against the inner bevel gear.
- 40) Install the provided retaining ring onto the pin with tool, **Fig. 17**.
- 41) Arm restraints should disengage when lift is fully lowered. To ensure that the arm restraint gears engage and disengage properly loosen the bolts on the large gear on the arm. Allow the small outer gear to align itself with the inner large gear and tighten the bolts.
- 42) Make sure all the arm bolts are tight. Slide all the arms out so they are fully extended making sure that the male is retained in the female.

- 43) Extend the foot pad to both extents and apply “anti-seize” to the three retaining rings and where the double screw makes contact with the base of the foot pad.

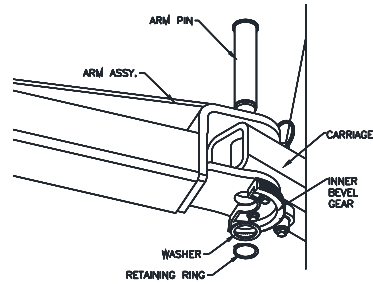


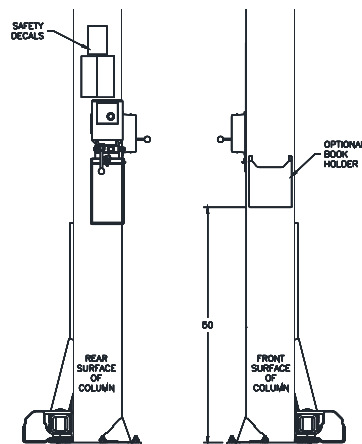
Fig. 17 –Arm Pin Keeper Install

ELECTRICAL (SEE FIG. 18, PAGE 12)

- 44) Wire tie limit switch cord to column extension hydraulic line and power unit line.
- 45) Connect the overhead limit switch cord to power unit as shown in **Fig. 18**.
- 46) Connect power unit to suitable electrical source as shown in **Fig. 18**.
- 47) **IMPORTANT:** AFTER WIRING HAS BEEN COMPLETED, TEST OPERATION OF POWER UNIT & OVERHEAD LIMIT SWITCH. WHILE RAISING LIFT, OPERATE OVERHEAD SHUTOFF BAR. POWER UNIT MOTOR SHOULD STOP WHEN SHUTOFF BAR IS RAISED.

SAFETY DECALS

- 48) Clean surface of power column above the power unit and install Safety Decals, **Page 3** and **Fig. 19**.
- 49) If *optional* book holder for “Vehicle Lifting Points” guide was purchased, install on front of power column.



**Fig. 19 – Safety Decal and
OPTIONAL Book Holder Placement**

FINAL ADJUSTMENTS

HYDRAULICS

- 50) Lower the lift to the floor and raise the lift approximately one foot.
- 51) Start with idler side first. Slowly and carefully loosen the bleed plug on top of the cylinder just enough to allow the entrapped air to escape. Repeat for power side.
- 52) Raise lift 6 inches. Repeat step 50 until no air comes out of cylinder.
- 53) Pressure test hydraulic system. Energize power unit, raise lift to full rise and continue to run motor for additional 10 seconds. (NOTE: pressure relief will make a high pitch squeal sound for these 10 seconds.) Check hydraulic system for leaks.
- 54) Energize power unit again for 10 seconds. With a clean rag, wipe down both cylinder rods. (The cylinders are shipped with a small amount of clear anti-corrosive lubricant that will be forced out through the wiper when the lift reaches full rise.) **If lubricant is not wiped clean from the cylinder rod, the cylinder will appear to be leaking.**

SYNCHRONIZING CABLES

- 55) Raise lift and ensure carriages lower into same lock position.
- 56) Adjust synchronizing cables so the tension is equal in both cables and carriages are firmly sitting on locks.
- 57) Cycle lift to ensure that locks operate simultaneously.

LOCK RELEASE CABLE

- 58) Lower lift to the floor and snap plastic cover over power column lock assembly.
- 59) Pull and release power column lock release handle while watching idler column lock. Adjust lower threaded sleeve cable adjuster jam nuts on idler column until idler column lock disengages and engages fully. When properly adjusted, the idler column lock should just come to rest against the back of the column when engaged and fully out against the tab when disengaged. Tighten idler column lower tab jam nuts.

IMPORTANT: IF IDLER SIDE LOCK PAWL DOES NOT FULLY DISENGAGE, DAMAGE MAY RESULT TO IDLER SIDE CARRIAGE AND OR CABLE SYNCHRONIZING SYSTEM.

- 60) Tighten threaded sleeve cable adjuster jam nuts and install lock release knob.
- 61) Tighten and trim wire ties.
- 62) Snap plastic cover over idler lock assembly (align release cable with notches in cover).

FEMALE ARM SHIM INSTALL

(3-STAGE ARMS ONLY)

- 63) Extend the arm fully and lift up on the male portion, **Fig. 20**.
- 64) Using a hammer to set, place the shim on the mouth of the female arm. Use the provided self-locking set screw and 1/8" Allen wrench to securely lock the shim in place.

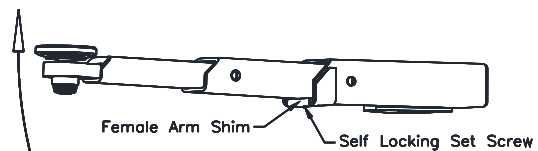


Fig. 20 – Arm Shim, 3-Stage

FINAL CHECKOUT PROCEDURE

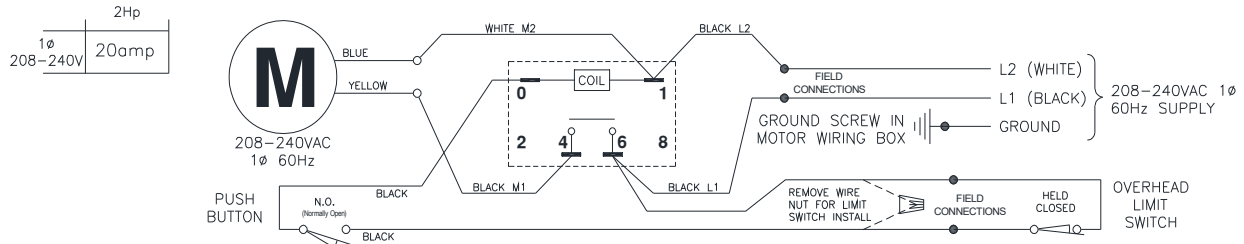
- 65) Demonstrate the operation of the lift to the owner/operator/employer using a typical vehicle and review correct and safe lifting procedures using the **Lifting It Right** booklet as a guide.
- 66) Return all provided literature (including this manual) to the literature pack envelope and deliver the envelope to the owner/operator/employer.
- 67) Complete the online warranty registration (refer to the included warranty statement).

Model CL10A
Installation, Operation and Maintenance

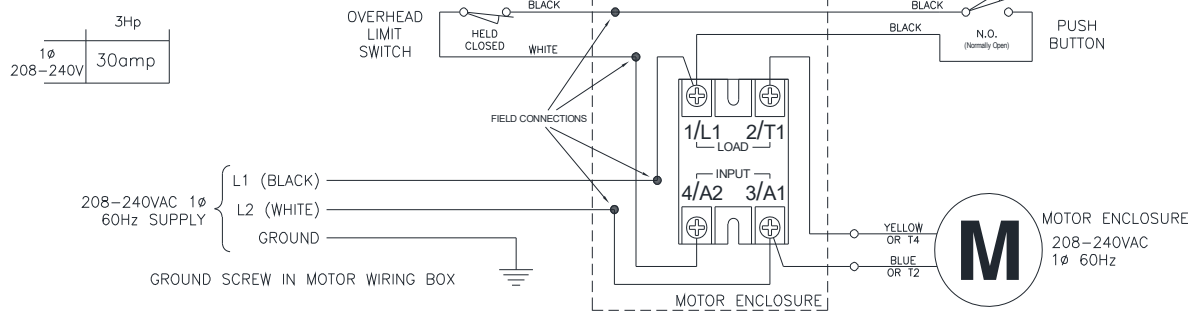
Wiring Diagram

- * EACH LIFT SHOULD HAVE A DEDICATED CIRCUIT WITH A DOUBLE (THREE POLE FOR 3 PHASE) BREAKER OR TIME DELAY FUSE SIZED ACCORDING TO THE FOLLOWING CHART.
- * WIRING MUST COMPLY WITH ALL LOCAL ELECTRICAL CODES.
- * ELECTRICAL CODE REQUIRES A SERVICE DISCONNECT FOR THIS DEVICE. WE SUGGEST THIS SERVICE DISCONNECT BE LOCATED NEAR THE POINT OF OPERATION.

STANDARD



QUICK CYCLE



THREE PHASE

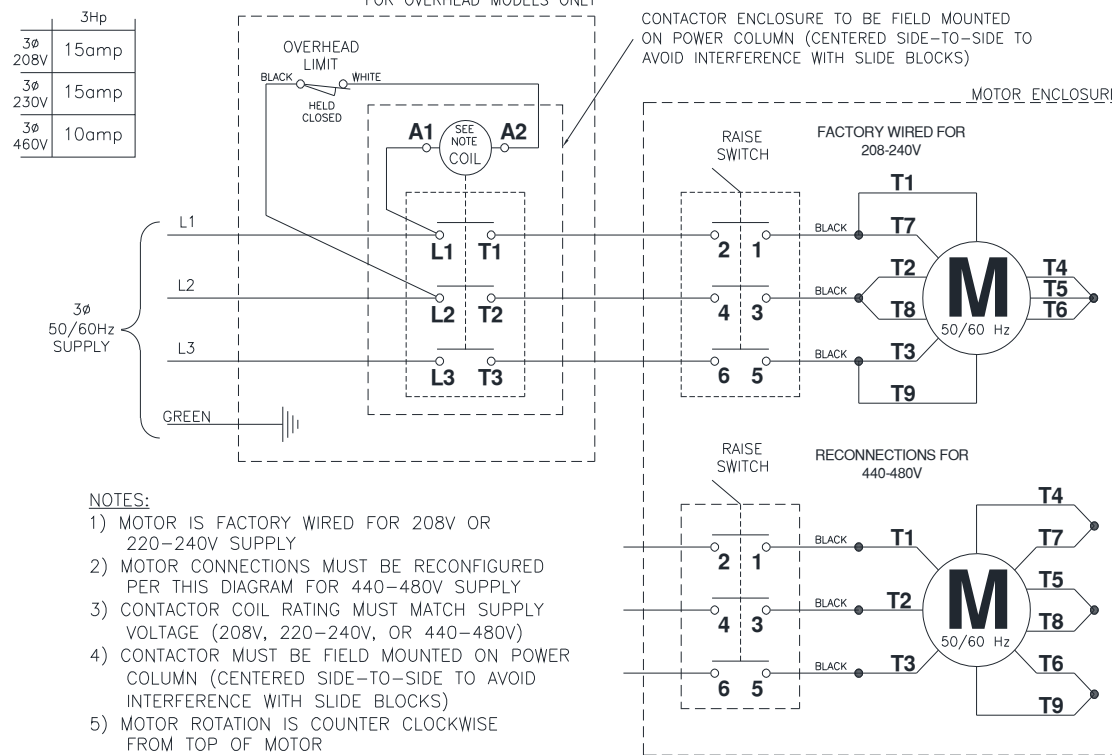


Fig. 18 – Electrical Wiring Diagram

OPERATION PROCEDURE

SAFETY NOTICES AND DECALS

This product is furnished with graphic safety warning labels, which are reproduced on page 3 of these instructions. Do not remove or deface these warning labels or allow them to be removed or defaced. For your safety, and the safety of others, read and understand all of the safety notices and decals included.

OWNER/EMPLOYER RESPONSIBILITIES

This lift has been designed and constructed according to ANSI/ALI ALCTV standard. The standard applies to lift manufacturers, as well as to owners and employers. The owner/employer's responsibilities as prescribed by ANSI/ALI ALOIM, are summarized below. For exact wording refer to the actual standard provided with this manual in the literature pack.

The Owner/Employer shall ensure that lift operators are qualified and that they are trained in the safe use and operation of the lift using the manufacturer's operating instructions; ALI/SM, *ALI Lifting it Right safety manual*; ALI/ST *ALI Safety Tips card*; ANSI/ALI ALOIM, *American National Standard for Automotive Lifts-Safety Requirements for Operation, Inspection and Maintenance*; ALI/WL Series, *ALI Uniform Warning Label Decals/Placards*; and in case of frame engaging lifts, ALI/LP-GUIDE, *Vehicle Lifting Points/Quick Reference Guide for Frame Engaging Lifts*.

The Owner/Employer shall establish procedures to periodically inspect the lift in accordance with the lift manufacturer's instructions or ANSI/ALI ALOIM, *American National Standard for Automotive Lifts-Safety Requirements for Operation, Inspection and Maintenance*; and the employer shall ensure that the lift inspectors are qualified and that they are adequately trained in the inspection of the lift.

The Owner/Employer shall establish procedures to periodically maintain the lift in accordance with the lift manufacturer's instructions or ANSI/ALI ALOIM, *American National Standard for Automotive Lifts-Safety Requirements for Operation, Inspection and Maintenance*; and the employer shall ensure that the lift maintenance personnel are qualified and that they are adequately trained in the maintenance of the lift.

The Owner/Employer shall maintain the periodic inspection and maintenance records recommended by the manufacturer or ANSI/ALI ALOIM, *American National Standard for Automotive Lifts-Safety Requirements for Operation, Inspection and Maintenance*.

The Owner/Employer shall display the lift manufacturer's operating instructions; ALI/SM, *ALI Lifting it Right safety manual*; ALI/ST *ALI Safety Tips card*; ANSI/ALI ALOIM, *American National Standard for Automotive Lifts-Safety Requirements for Operation, Inspection and Maintenance*; and in

the case of frame engaging lift, ALI/LP-GUIDE, *Vehicle Lifting Points/Quick Reference Guide for Frame Engaging Lifts*; in a conspicuous location in the lift area convenient to the operator.

IMPORTANT SAFETY INSTRUCTIONS

When using your garage equipment, basic safety precautions should always be followed, including the following:

1. Read all instructions.
2. Care must be taken as burns can occur from touching hot parts.
3. To reduce the risk of fire, do not operate equipment in the vicinity of open containers of flammable liquids (gasoline).
4. Keep hair, loose clothing, fingers, and all parts of body away from moving parts.
5. Use only as described in this manual. Use only manufacturer's recommended attachments.
6. ALWAYS WEAR SAFETY GLASSES. Everyday eyeglasses only have impact resistant lenses; they are not safety glasses.

SAVE THESE INSTRUCTIONS

LIFTING A VEHICLE

- 1) Ensure that the lifting arms are parked at full drive thru position.
- 2) Center the vehicle, left-to-right, between the columns and position the vehicle's center of gravity, fore-and-aft, midpoint between the columns. **NOTE: The center of gravity is based on the weight distribution and is not the same as the center point of the vehicle.**

DO NOT EXCEED 2500 POUNDS PER ARM.

DO NOT ATTEMPT TO LIFT THE VEHICLE WITH ONLY TWO ARMS, AS THIS WILL VOID THE WARRANTY

ENSURE THAT THE HIGHEST POINT ON THE VEHICLE WILL CONTACT THE OVERHEAD LIMIT SWITCH BAR.

REFER TO THE VEHICLE MANUFACTURERS SERVICE MANUAL, TECHNICAL BULLETINS, "VEHICLE LIFTING POINTS GUIDE" (ALI/LP-GUIDE) OR OTHER PUBLICATIONS TO LOCATE THE RECOMMENDED LIFTING POINTS.

- 3) Position the arms and adapters so all four pads contact the vehicle simultaneously.

The vehicle should remain level during lifting.

- 4) Press and hold the power unit raise button until all four tires are off the ground. Check adapters for secure contact with vehicle lift points. Test the stability of the vehicle by attempting to rock the vehicle. If the vehicle seems unstable, lower the lift and readjust the arms. If the vehicle is stable, raise the vehicle to a height a few inches above the desired working height.
- 5) Lower the vehicle until the locks on both columns engage. The vehicle should remain level when both locks are engaged. If one side engages and the other continues to descend, stop lowering the vehicle, raise it several inches, and try again to engage both locks.

Always lower lift into locks before entering the area beneath the vehicle.

Always use support stands when removing or installing heavy components.

LOWERING A VEHICLE

- 1) Ensure that the area under the vehicle is clear of personnel and tools.
- 2) Raise the vehicle until both locks are free.
- 3) Disengage the locks by pulling and holding the lock release lever.
- 4) Lower the vehicle by depressing the lowering valve handle.
- 5) Continue to lower the vehicle until the carriages stop against the base plate. Retract the extended arms and park them.

LOSS OF POWER

If for any reason the lift will not raise off the locks or the locks will not retract, consult factory authorized personnel.

DO NOT OVERRIDE ANY SAFETY FEATURE IN AN ATTEMPT TO LOWER THE LIFT.

MAINTENANCE

To avoid personal injury, permit only qualified personnel to perform maintenance on this equipment. Maintenance personnel should follow lockout/ tagout instructions per ANSI Z244.1.

The following maintenance points are suggested as the basis of a routine maintenance program. The actual maintenance program should be tailored to the installation and include a record of each planned maintenance activity and repair maintenance activity performed. Refer to the maintenance section of the ANSI/ALI ALOIM booklet (blue book) provided with the lift.

- If lift stops short of full rise or chatters, check fluid level and bleed both cylinders per installation instructions.
- Replace all Safety, Warning or Caution Labels if missing or damaged (**See *installation instructions* page 3.**)

Daily

- Keep lift components clean.
- Check for loose or broken parts.
- Check hydraulic system for fluid leaks.
- Check adapters for damage or excessive wear. Replace as required with genuine Challenger Lifts parts.
- Check lock release activation. When properly adjusted, the idler column lock should rest firmly against the back of the column when engaged and against the spring mount tab when disengaged.

Weekly

- Check synchronizer cables and sheaves for wear. Replace as required with genuine Challenger Lifts parts.
- Check synchronizer cable tension per installation instructions. Adjust if necessary. If both threaded ends of either cable have run out of adjustment, then replace both cables. (Cables should always be replaced in sets.)

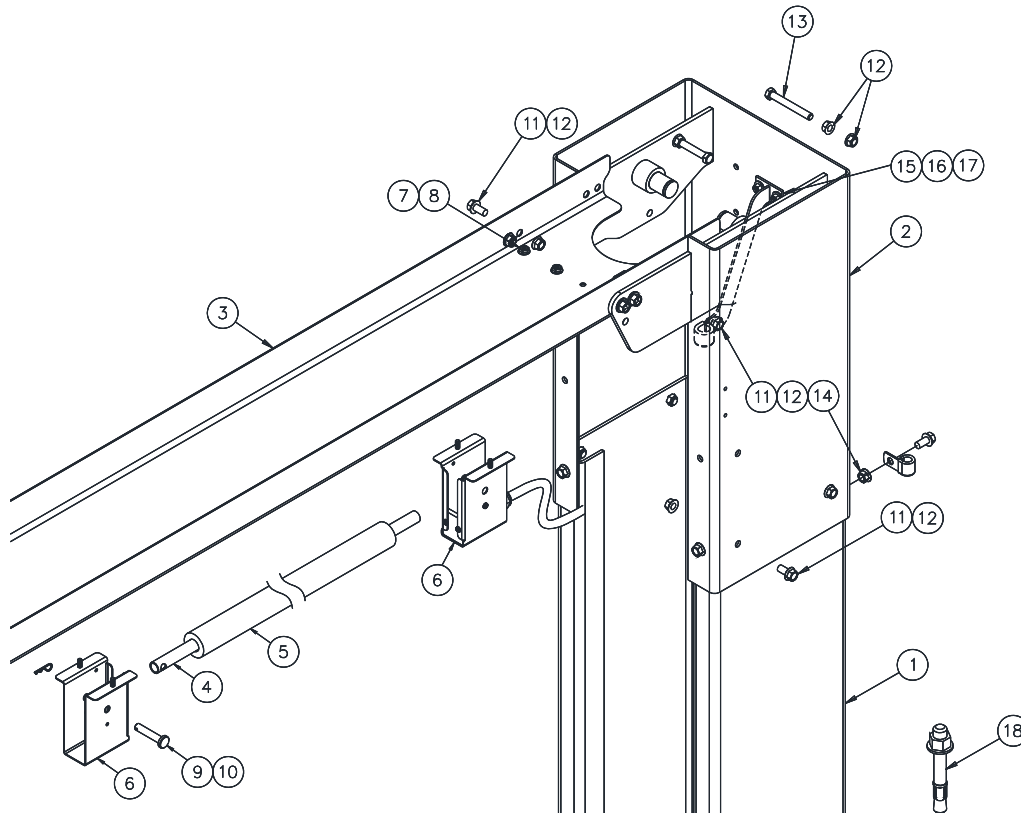
Monthly

- Torque concrete anchor bolts to 80 ft-lbs.
- Visually inspect concrete floor for cracks and/or spalls within 12" of base plate
- Check overhead shutoff switch. While raising lift, operate overhead shutoff bar. Power unit motor should stop when bar is raised.
- Lubricate carriage slide tracks with heavy viscous grease. (Grease all (4) corners of both columns.)
- Lubricate arm using the grease fittings.

If any problems are encountered, contact your local service representative.

PARTS BREAKDOWN

Column & Overhead

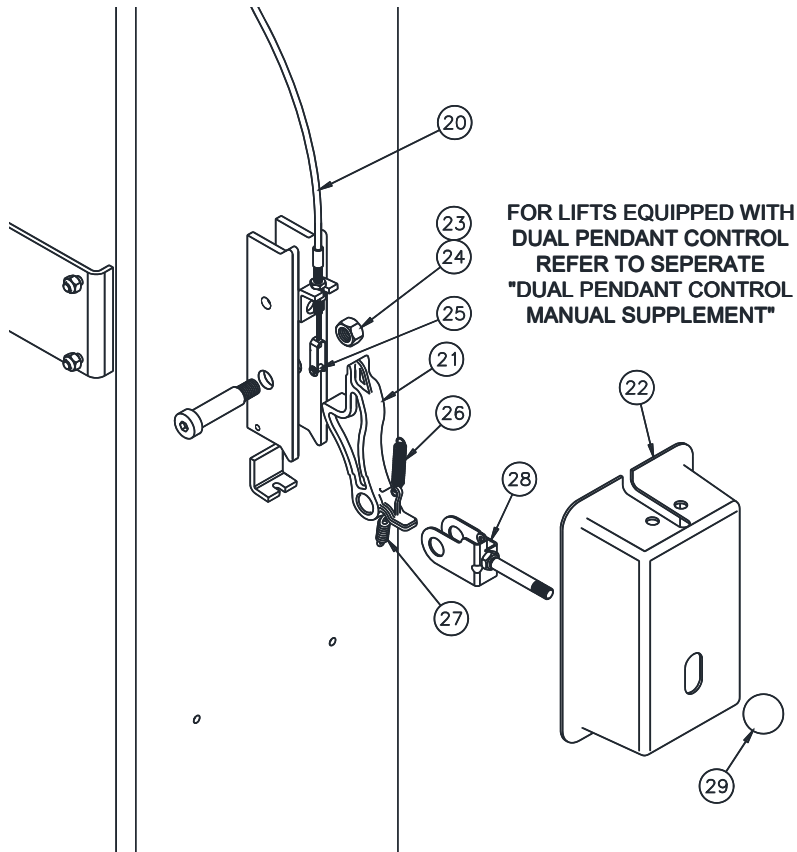


ITEM #	PART #	QTY/LIFT	DESCRIPTION
1	A2406 - P	1	POWER COLUMN WELD
	A2406 - I	1	IDLER COLUMN WELD
2	A2418 - 0	2	COLUMN EXTENSION WELD - CL10A
	A2418 - 2		COLUMN EXTENSION WELD - CL10A-2
	A2418 - 3		COLUMN EXTENSION WELD - CL10A-3
3	A2060	1	OVERHEAD CHANNEL
4	A2067	1	SHUTOFF BAR
5	31129	1	SHUTOFF BAR CUSHION
6	B2064 - 01	1	LIMIT SWITCH PACKAGE (INCLUDES SWITCH w/ CORD, BOTH BRACKETS, & ITEMS 7-10)
7	B2065-3	4	M6 x 14mm PHILLIPS PAN HEAD SCREW
8	B2065-4	4	M6 SERRATED FLANGE HEX NUT
9	B2065-5	1	CLEVIS PIN 10mm x 55 Lg.
10	GJY12-3	1	HAIRPIN COTTER
11	A1153	30	3/8-16NC HEX.FLG.HD.C.S X 3/4" Lg.
12	A1154	38	3/8-16NC HEX.FLG.NUT
13	A2159	4	3/8-16NC x 3" Lg HEX HEAD C.S. Gr.5
14	A1122 - 12	13	3/8" HOSE CLAMP
15	A2082	2	HOSE SUPPORT TAB
16	A2125	4	1/4-20 x 3/4 SERRATED HEX FLANGE SCREW
17	40085	4	1/4-20 SERRATED FLANGE NUT
18	31058	14	ANCHOR BOLT, 3/4 x 5-1/2" Lg.

Replace all worn, damaged, or broken parts with parts approved by **Challenger Lifts Inc.** or with parts meeting **Challenger Lifts Inc.** specifications.
Contact your local Challenger Lifts Parts Distributor for pricing and availability.
(Call **Challenger Lifts Inc.** (502) 625-0700 for the Parts Distributor in your area)

PARTS BREAKDOWN (continued)

Lock



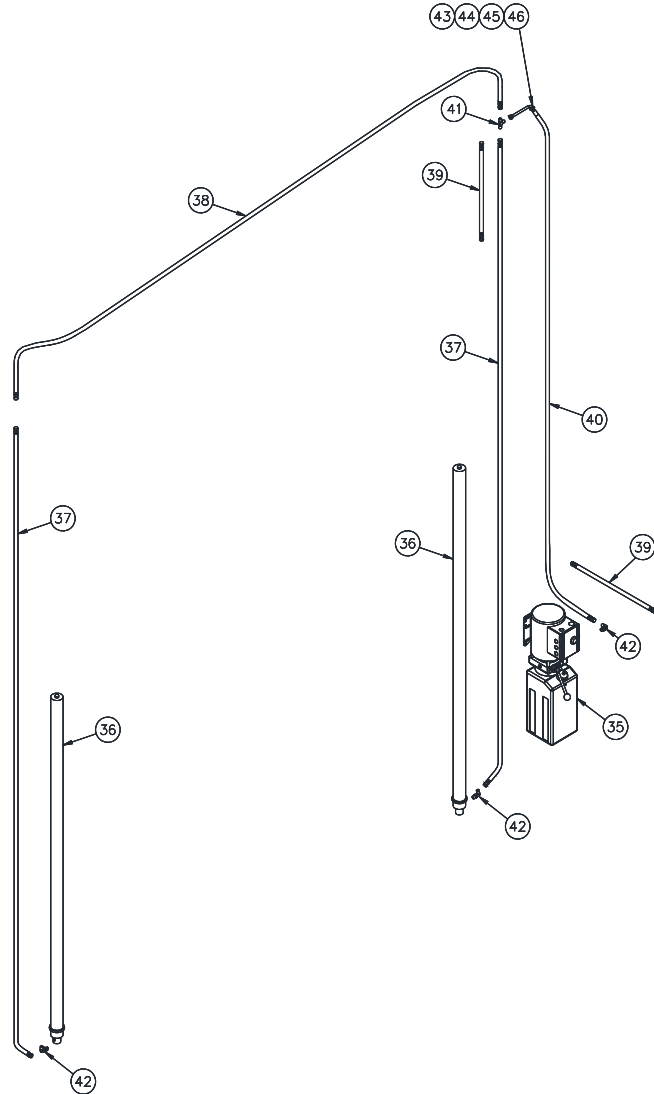
ITEM #	PART #	QTY/LIFT	DESCRIPTION
20	A2423-0	1	LOCK RELEASE CABLE ASSEMBLY - CL10A
	A2423-2		LOCK RELEASE CABLE ASSEMBLY - CL10A-2
	A2423-3		LOCK RELEASE CABLE ASSEMBLY - CL10A-3
21	B1140	2	LOCK PAWL
22	A1133	2	LOCK COVER
23	30020	2	LOCK PIN (5/8 x 1 1/2" Lg. SHOULDER BOLT)
24	37013	2	LOCK PIN RETAINER (1/2-13NC HEX LOCK NUT)
25	37119	1	CLEVIS PIN KIT
26	A1131	2	LOCK SPRING (3/8" O.D.)
27	A1132	1	CABLE SPRING (1/2" O.D.) – Idler side ONLY
28	A1141	1	LOCK RELEASE CLEVIS ASSEMBLY – Power side ONLY
29	36096	1	BALL HANDLE – Power side ONLY

Replace all worn, damaged, or broken parts with parts approved by **Challenger Lifts Inc.** or with parts meeting **Challenger Lifts Inc.** specifications.

Contact your local Challenger Lifts Parts Distributor for pricing and availability.
(Call **Challenger Lifts Inc.** (502) 625-0700 for the Parts Distributor in your area)

PARTS BREAKDOWN (continued)

Hydraulics

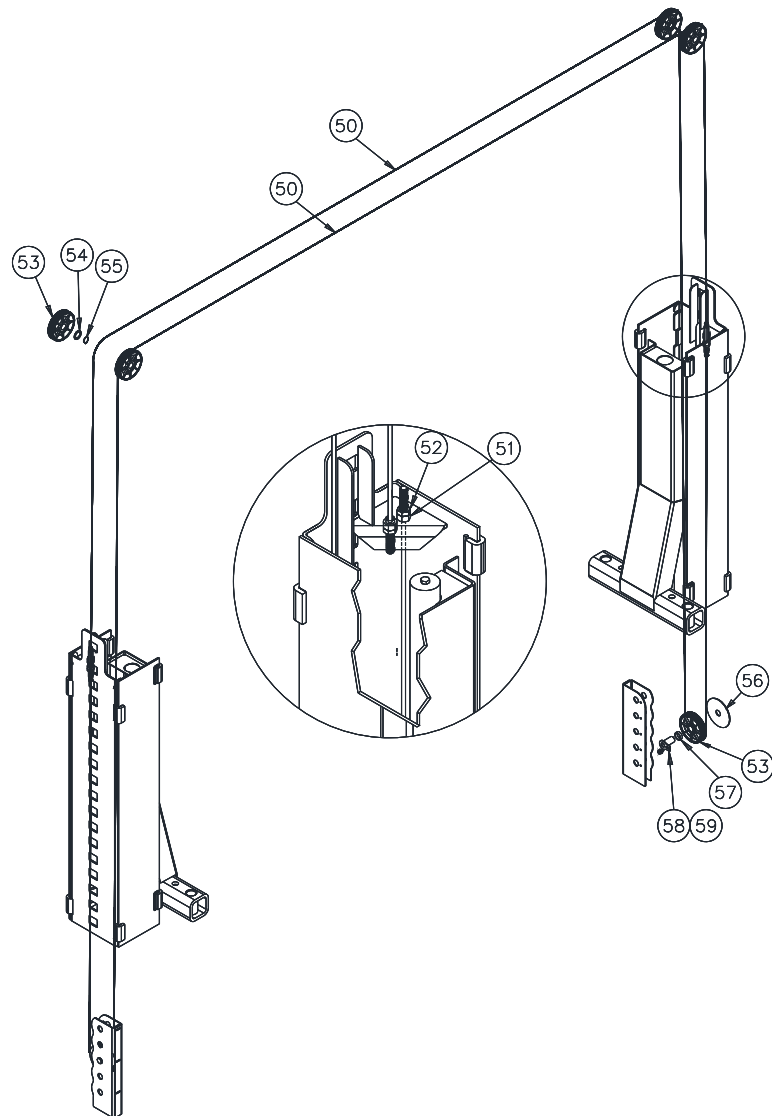


ITEM #	PART #	QTY/LIFT	DESCRIPTION
35	AB-9367	1	POWER UNIT 1ph, 60 Hz, 208-230V
	AD-9367		POWER UNIT 3ph, 50/60 Hz, 208-230/460V
	AB-10396		POWER UNIT 1ph, 60 Hz, 208-230V, QUICK CYCLE
36	16138R-QC	2	CYLINDER (68" STROKE RAM), QUICK CYCLE
37	A2127 -57P	2	POWER HOSE (STD. LENGTH 126")
38	A2420	1	OVERHEAD HOSE (STD. LENGTH 217")
39	39101 -024	2	2 FT. HOSE EXTENSION (CL10A-2, LENGTH 24")
	39101 -036		3 FT. HOSE EXTENSION (CL10A-3, LENGTH 36")
40	A2127 -PU	1	POWER UNIT HOSE (STD LENGTH 73 1/2")
41	39103	1	37 Degree UNION TEE
42	16167	3	9/16-18 STRAIGHT THREAD ELBOW
43	31025	1	Hyd. LINE CLAMP
44	12748	1	1/4 x 1/4 NYLON SPACER
45	A2125	1	1/4-20 x 3/4 HEX FLANGE HEAD BOLT
46	40085	1	1/4-20 HEX FLANGE NUT

Replace all worn, damaged, or broken parts with parts approved by **Challenger Lifts Inc.** or with parts meeting **Challenger Lifts Inc.** specifications.
Contact your local Challenger Lifts Parts Distributor for pricing and availability.
(Call **Challenger Lifts Inc.** (502) 625-0700 for the Parts Distributor in your area)

PARTS BREAKDOWN (continued)

Synchronizer

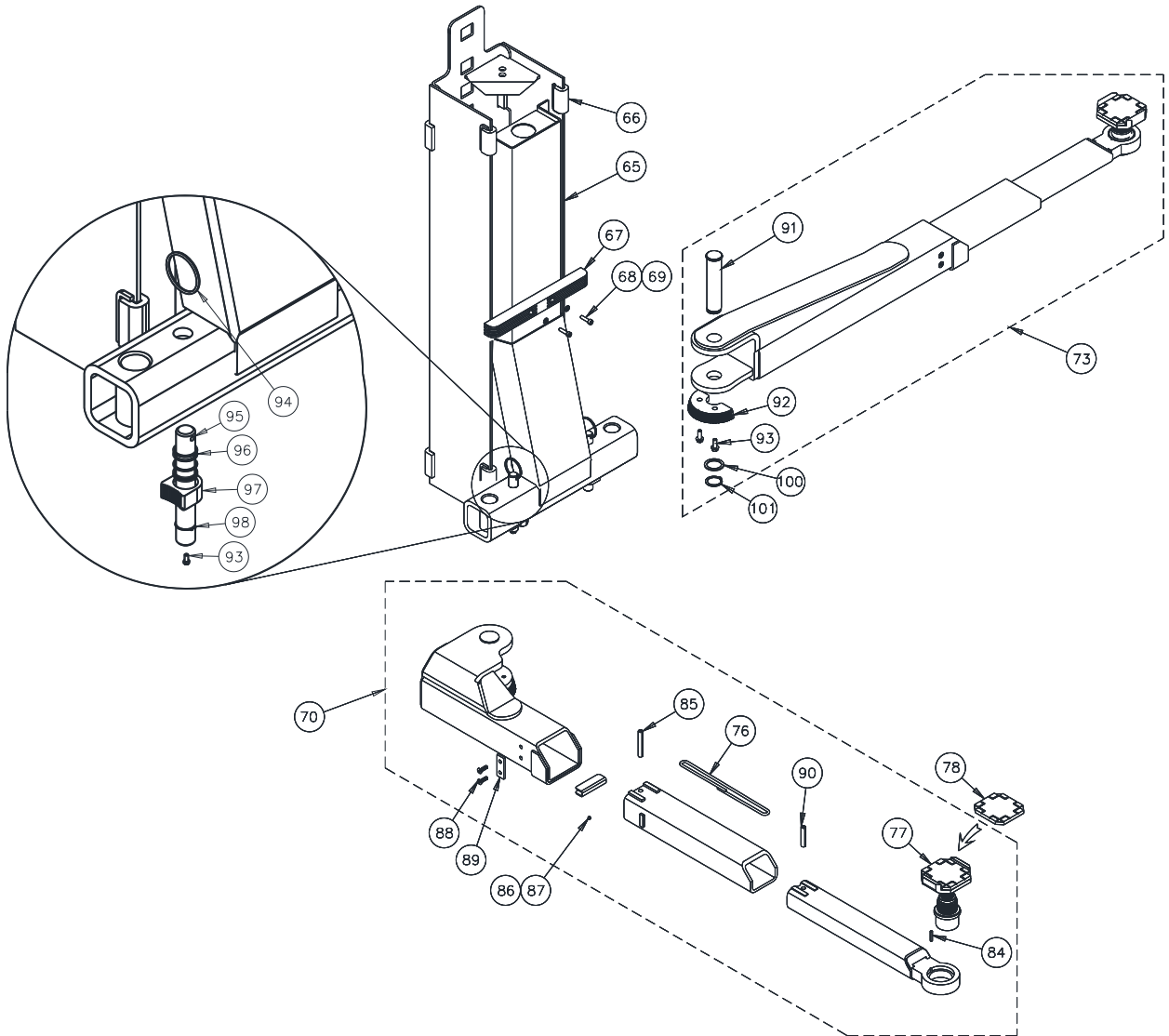


ITEM #	PART #	QTY/LIFT	DESCRIPTION
50	A2421 - 0	1	SYNCHRONIZER CABLE - CL10A
	A2421 - 2		SYNCHRONIZER CABLE - CL10A-2
	A2421 - 3		SYNCHRONIZER CABLE - CL10A-3
51	A2116	4	5/8-11NC HEX NUT
52	A2117	4	5/8-11NC HEX JAM NUT
53	36025	6	SHEAVE ASSEMBLY (5" DIA. X 5/16" GROOVE)
54	36013	8	1" I.D. SPACER WASHER
55	36014	4	1" EXT. RETAINING RING
56	A2415	2	LARGE LOWER SPACER
57	A2416	2	SMALL LOWER SPACER
58	A2411	2	LOWER SHEAVE PIN
59	4100342	2	5/16-18 HEX FLANGE NUT X 1/2" Lg.

Replace all worn, damaged, or broken parts with parts approved by **Challenger Lifts Inc.** or with parts meeting **Challenger Lifts Inc.** specifications.
Contact your local Challenger Lifts Parts Distributor for pricing and availability.
(Call **Challenger Lifts Inc.** (502) 625-0700 for the Parts Distributor in your area)

PARTS BREAKDOWN (continued)

Carriage & 3-Stage Arm Pack (B2202SD)



Replace all worn, damaged, or broken parts with parts approved by **Challenger Lifts Inc.** or with parts meeting **Challenger Lifts Inc.** specifications.
Contact your local Challenger Lifts Parts Distributor for pricing and availability.
(Call **Challenger Lifts Inc.** (502) 625-0700 for the Parts Distributor in your area)

Model CL10A
Installation, Operation and Maintenance

PARTS BREAKDOWN (continued)

ITEM #	PART #	QTY/LIFT	DESCRIPTION
65	B2026-57	2	CARRIAGE WELD (57" LADDER)
66	31023	16	SLIDE BLOCK
67	B2026-2	2	RUBBER DOOR GUARD
68	X10-088	4	M8x1.25x30mm Lg. SHCS
69	X10-087	4	M8 WASHER
70	B2203S-PD	1	FRONT ARM ASSEMBLY (POWER)
	B2203S-ID	1	FRONT ARM ASSEMBLY (IDLER)
73	B2204SD	2	REAR ARM ASSY
76	CS1020-05	4	STOP LOOP
77	B2270	4	FOOT PAD ASSEMBLY (items 78-83), 55mm STROKE
78	A1104-H	4	RUBBER INSERT
84	B2211	4	ROLL PIN, 6mm DIA x 30mm Lg.
85	B2202-02	4	ROLL PIN, 12mm DIA x 80mm Lg.
86	CS1020-03-01	4	FEMALE ARM SHIM
87	CS1020-03-02	4	M6 x 1 x 6mm Lg. SELF-LOCKING SET SCREW
88	17350	8	M8 x 10mm Lg. FLAT HEAD BOLT
89	CS1020-04	4	STOP BLOCK
90	B2202-01	4	ROLL PIN, 12mm DIA x 60mm Lg.
91	B1078	4	ARM PIN WELD
92	A1070TC	4	INNER GEAR, BEVELED
93	B1068	12	M10x1.5x25mm Lg. HEX FLANGE HEAD BOLT
94	A1075	4	PULL RING
95	A1073C	4	ARM RESTRAINT SHAFT
96	31109	4	COMPRESSION SPRING (RESTRAINT SHAFT)
97	A1072TC	4	OUTER GEAR, BEVELED
98	36014	4	1" EXTERNAL RETAINING RING
99	A1077TC	4	ARM RESTRAINT SHAFT ASSEMBLY (items 93-98)
100	B2203S-01D	4	39mm ID, 51mm OD WASHER
101	B1083	4	38mm EXTERNAL RETAINING RING
	B2202SD	1	ARM PACK, CL10, 3-STAGE

Replace all worn, damaged, or broken parts with parts approved by **Challenger Lifts Inc.** or with parts meeting **Challenger Lifts Inc.** specifications.
Contact your local Challenger Lifts Parts Distributor for pricing and availability.
(Call **Challenger Lifts Inc.** (502) 625-0700 for the Parts Distributor in your area)

NOTES

REVISIONS

2024/09/25 – UPDATED ANSI/ALI REFERENCE MATERIAL.
2024/10/24 – UPDATED WIREING DIAGRAM TO INCLUDE NEW RELAY.
2025/04/07 – UPDATED GENERAL SPECIFICATIONS TABLE. PG. 2
2025/08/21 – UPDATED PARTS QUANTITY FOR X10-087 FROM 8 TO 4.
2025/09/12 – ADDED BUCHER POWER UNIT TO PARTS LIST.
2025/12/16 – UPDATED OPERATIONAL PROCEDURES, AND WIRING DIAGRAM.
2026/02/12 – UPDATED PARTS BREAKDOWN.
2026/05/29 – UPDATED WIRING DIAGRAM AND POWER UNIT PART NUMBERS.

Model CL10A
Installation, Operation and Maintenance