

10K 2-POST SA10

Challenger Lifts 10,000 lb. 2-Post lift, the SA10, features the ability to be installed in either a symmetric or an asymmetric (turn column) configuration to suit the service requirements of your particular shop.

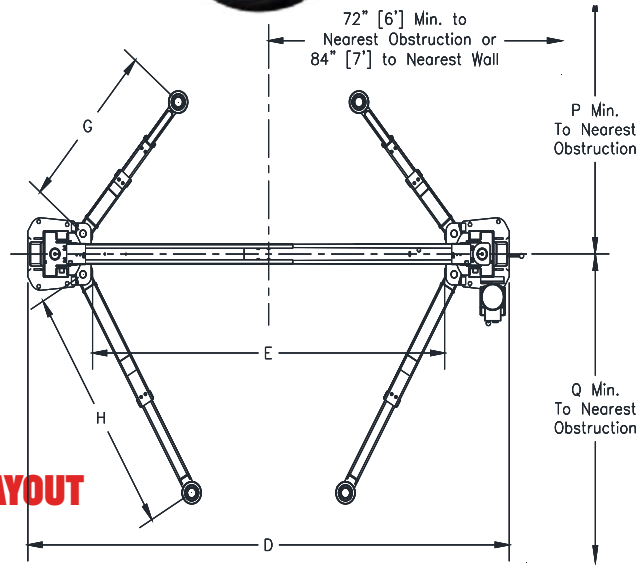


CONCRETE SPECS

4" thick, reinforced, free from cracks & seams, rated at 3500+ psi & cured minimum of 28 days

REQUIREMENTS

- 12' MINIMUM**
- 14' RECOMMENDED**
- 24' RECOMMENDED**
- 208-230V, 1PH, 30A**



SERVICE BAY LAYOUT

SPECIFICATIONS

MODEL NUMBER	SA10			
	Symmetric	Symmetric w/ 2' ext SA10EH2	Asymmetric	Asymmetric w/ 2' ext SA10EH2
Lifting Configuration				
Rise Height	74 ⁷ / ₈ "			
Overall Height	11' 10 ¹ / ₂ "	13' 10 ¹ / ₂ "	11' 10 ¹ / ₂ "	13' 10 ¹ / ₂ "
Overall Width	10' 9" or 11' 3"		10' 11 ¹ / ₂ " or 11' 5 ¹ / ₂ "	
Drive Thru Clearance	7' 8 ³ / ₄ " or 8' 2 ³ / ₄ "		7' 4 ¹ / ₂ " or 7' 10 ¹ / ₂ "	
Floor to Overhead Switch	10' 11 ¹ / ₈ " / 11' 5 ¹ / ₈ "	12' 11 ¹ / ₈ " / 13' 5 ¹ / ₈ "	10' 11 ¹ / ₈ " / 11' 5 ¹ / ₈ "	12' 11 ¹ / ₈ " / 13' 5 ¹ / ₈ "
Front Arm Reach	Min 22 ³ / ₈ " Max 41 ¹ / ₂ "			
Rear Arm Reach	Min 38 ¹ / ₄ " Max 59"			
Screw Pad Height	Min 4 ³ / ₄ " Max 6 ⁷ / ₈ "			
Rise Time	44s			
Required Ceiling Height	12'	14'	12'	14'
ALI Certified	☑			